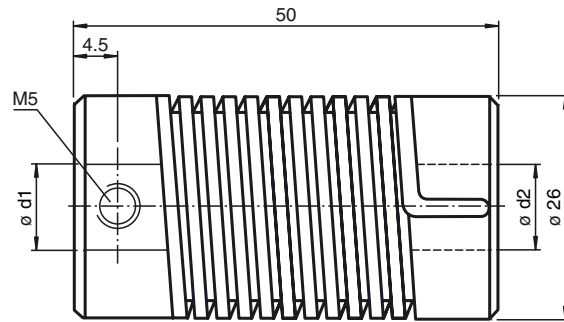




Dimensions



Model Number

9401 10*12,7

Spring steel coupling

Features

- Universally suitable for backlash-free rotation transmission
- Highly vibration-isolating
- Well misalignment compensation
- Low torsion spring stiffness
- Small reset forces
- No movable parts
- Very rugged construction

Technical data

Ambient conditions

Operating temperature -30 ... 120 °C (-22 ... 248 °F)

Mechanical specifications

Shaft diameter d1 = 10 mm , d2 = 12.7 mm

Material

Spring

spring steel, nickel plated

End piece

Diecast zinc

Mass

100 g

Rotational speed

max. 3000 min

Max. torque

1.5 Nm

Tightening torque, fastening screws

1.2 Nm

Radial offset

max. ± 1.5 mm

Axial offset

max. ± 1 mm

Angle error

max. ± 5 °

Torsion angle

at torque 0.75 Nm drive shaft view

CW rotation direction

40 °

CCW rotation direction

60 °

Moment of inertia

95 kg m² x 10⁻⁷

Mounting

clamp screws M5 x 6, DIN 916

Tightening torque of clamping screws

max. 3 Nm